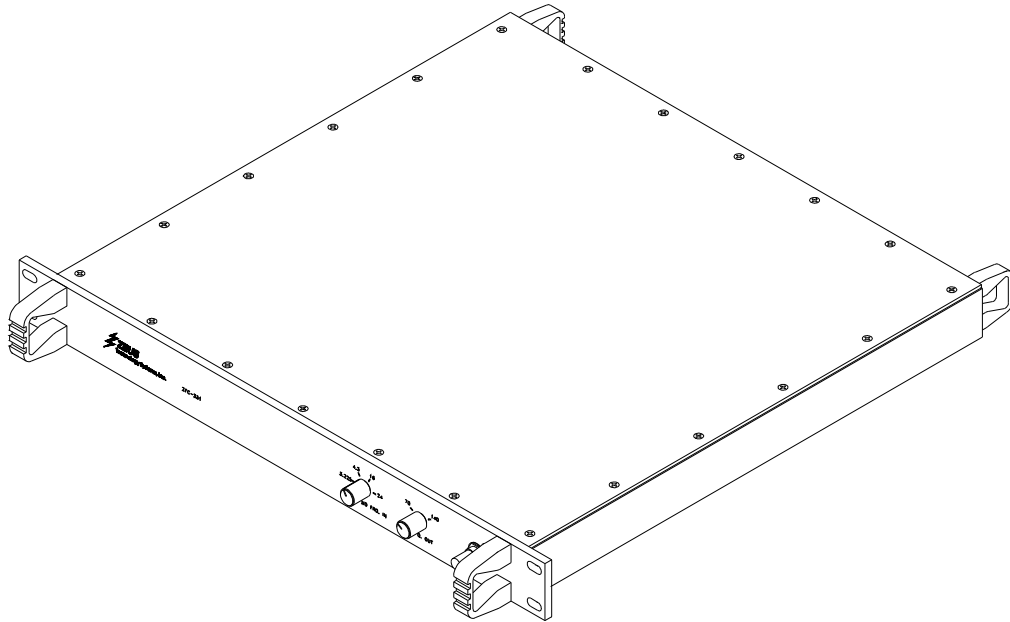


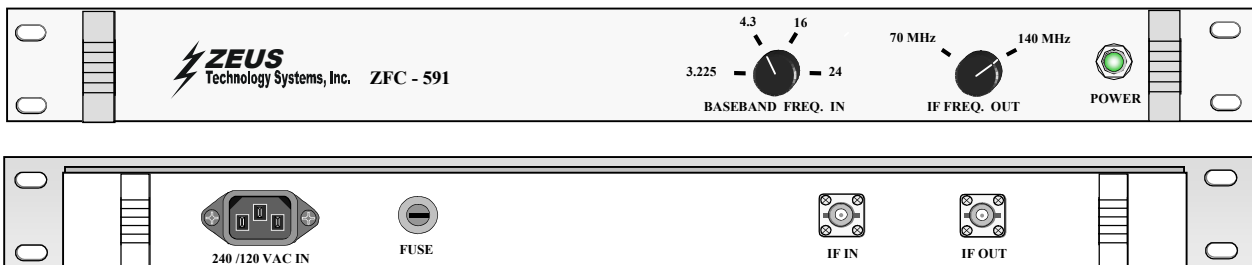
ZEUS Technology Systems, Inc.
Technical Data Sheet

ZFC-591
Baseband to IF Frequency Converter



DESCRIPTION

The **ZFC-591** converts a Baseband input to a 70 MHz or 140 MHz IF output as determined by the user. The input is first upconverted from one of four selectable baseband frequencies. It is then filtered by one of four high performance filters and amplitude leveled by an onboard AGC. The signal is finally translated to one of two selectable IF output frequencies. The unit uses phase linear SAW translation filters as well as phase noise optimized synthesizers to provide excellent performance for complex modulated signals including QAM. The baseband center frequency is selectable by a front panel switch. The output frequency (70 MHz or 140 MHz) is selectable by a front panel switch.



Zeus Technology Systems, Inc.
601 N. Hammonds Ferry Rd., Suites H-J, Linthicum, MD 21090
Tel: 410.789.8888 Fax: 410.789.4444

Represented by: COWBOY Industries Inc.
12694 FM 2127 Bowie, TX 76230
Tel: 800.410.0181 Fax: 800.836.7579

ZFC - 591 SPECIFICATIONS

Input Center Frequency	3.225, 4.3, 12, and 24 MHz
Input level range, input level	1 V p-p, nominal
Input Connector	BNC
Output Center frequency	70 MHz or 140 MHz
Output / Input bandwidth (-3dB)	5.3, 7.3, 18.3, and 40.1 MHz (Determined by input center frequency)
Output Connector	BNC
Impedance - all Signal Ports	50 Ohms
Image rejection	> -40 dBc
Output level	-18 dBm, nominal (80 mV p-p)
Group Delay Variation	11 to 60 nsec. p-p, nom. (Bandwidth dependent)
Passband Ripple	+/- 1 dB, max
Phase Noise	-90 dBc/Hz @ 10KHz offset, typ.
Control	Front Panel selector knobs
Power	108-240 VAC
Temperature - Operating	0 - 50 degrees C
Size	1 - U Rack Chassis